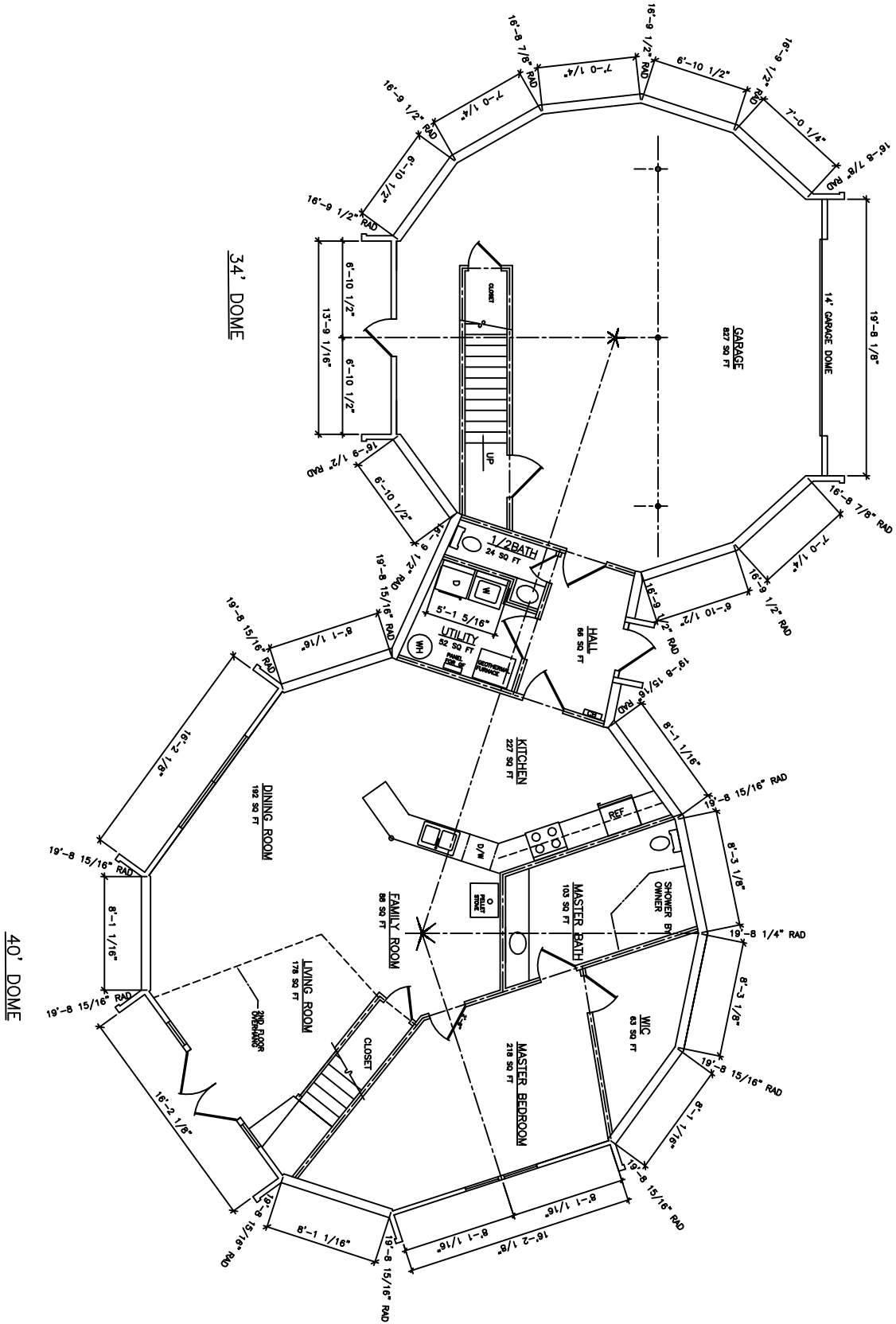


FIRST FLOOR PLAN

SCALE: 1/4" = 1'-0"
 40' DOME 1149 SQ. FT.
 LINK 151 SQ. FT.
 34' GARAGE 827 SQ. FT.
 TOTAL AREA 2127 SQ. FT.



**AMERICAN
 INGENUITY**, INC.
 8777 HOLIDAY SPRINGS RD
 ROCKLEDGE, FL 32955-5805
 PH: 321-639-8777 USA

DOMES PLANS FOR:

MILLER RESIDENCE

SHEET TITLE:

1ST FLOOR PLAN

DRAWN BY: N.K.H.
 CHECKED BY: G.B.
 DATE: 3/21/16
 DRAWING NO: MILLER
 REVISION: 1

COPYRIGHT 2015
 AMERICAN INGENUITY, INC.
 SHEET NO.
A-4