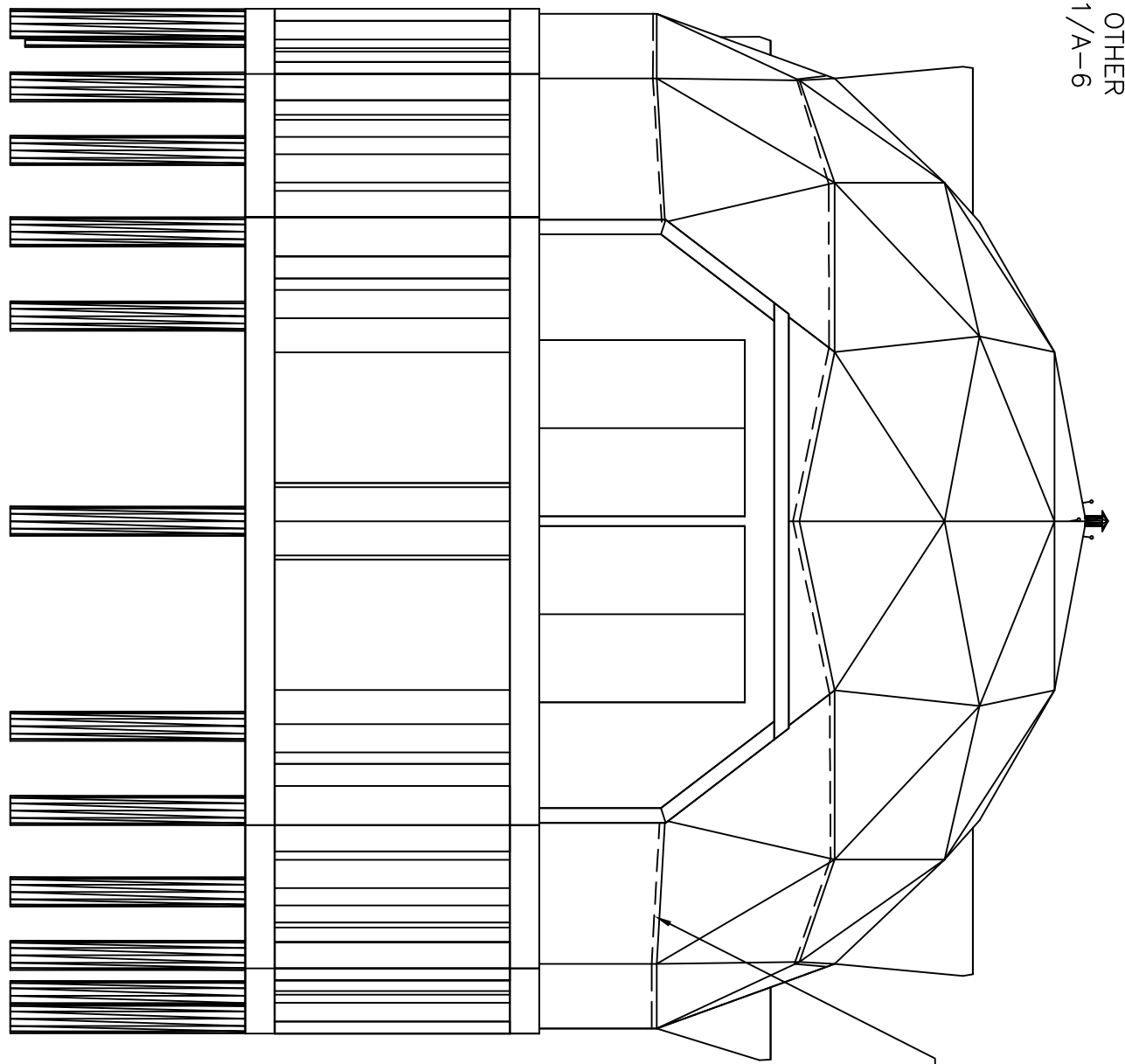


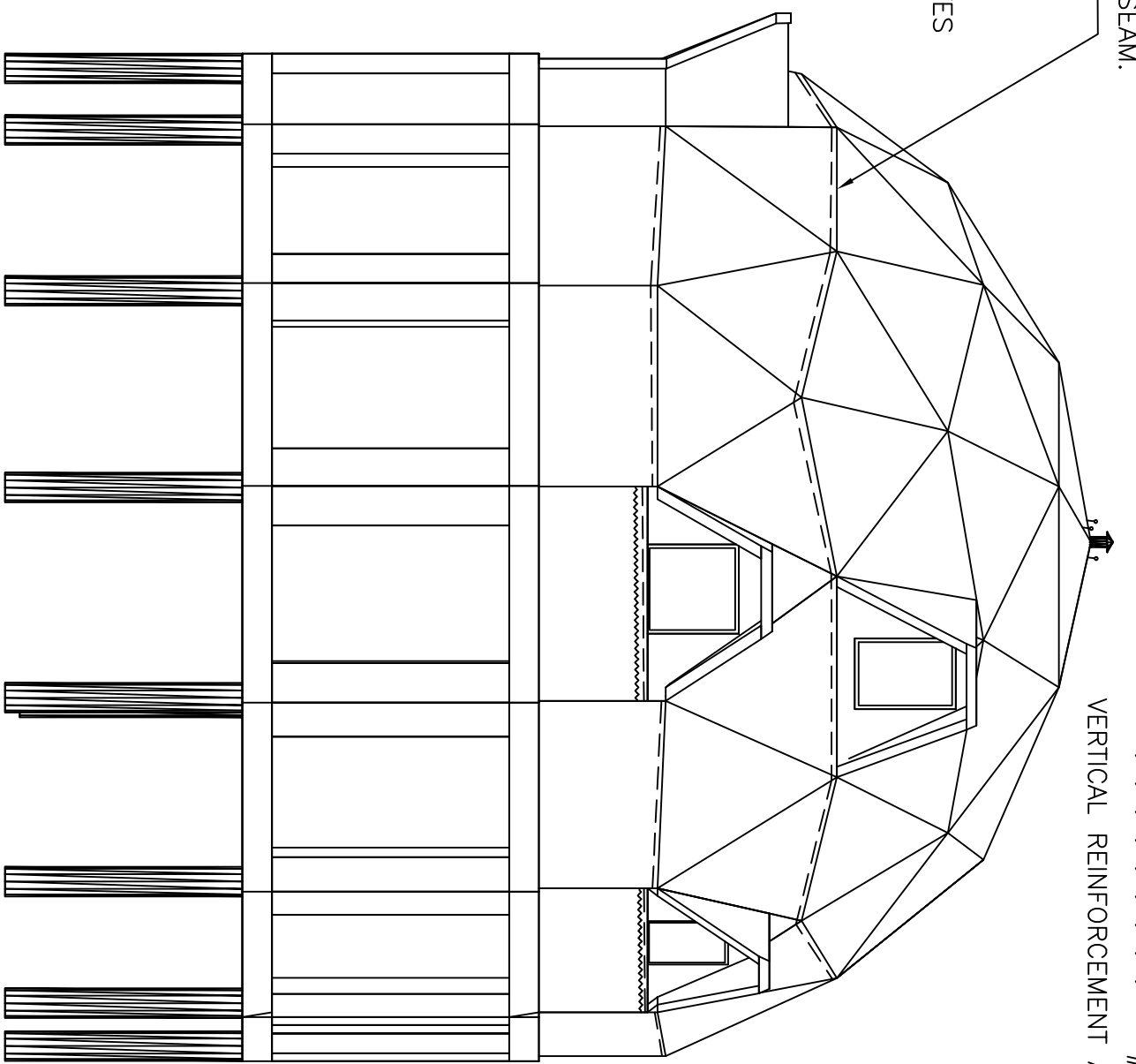
↑ FIVE EYE BOLTS AROUND TOP VENT PIPE. TO MAKE EYE BOLTS VISIBLE THEIR SIZE IS NOT PROPORTIONAL TO OTHER DIMENSIONS. SEE 1/A-6



FRONT ELEVATION  
SCALE: N.T.S.

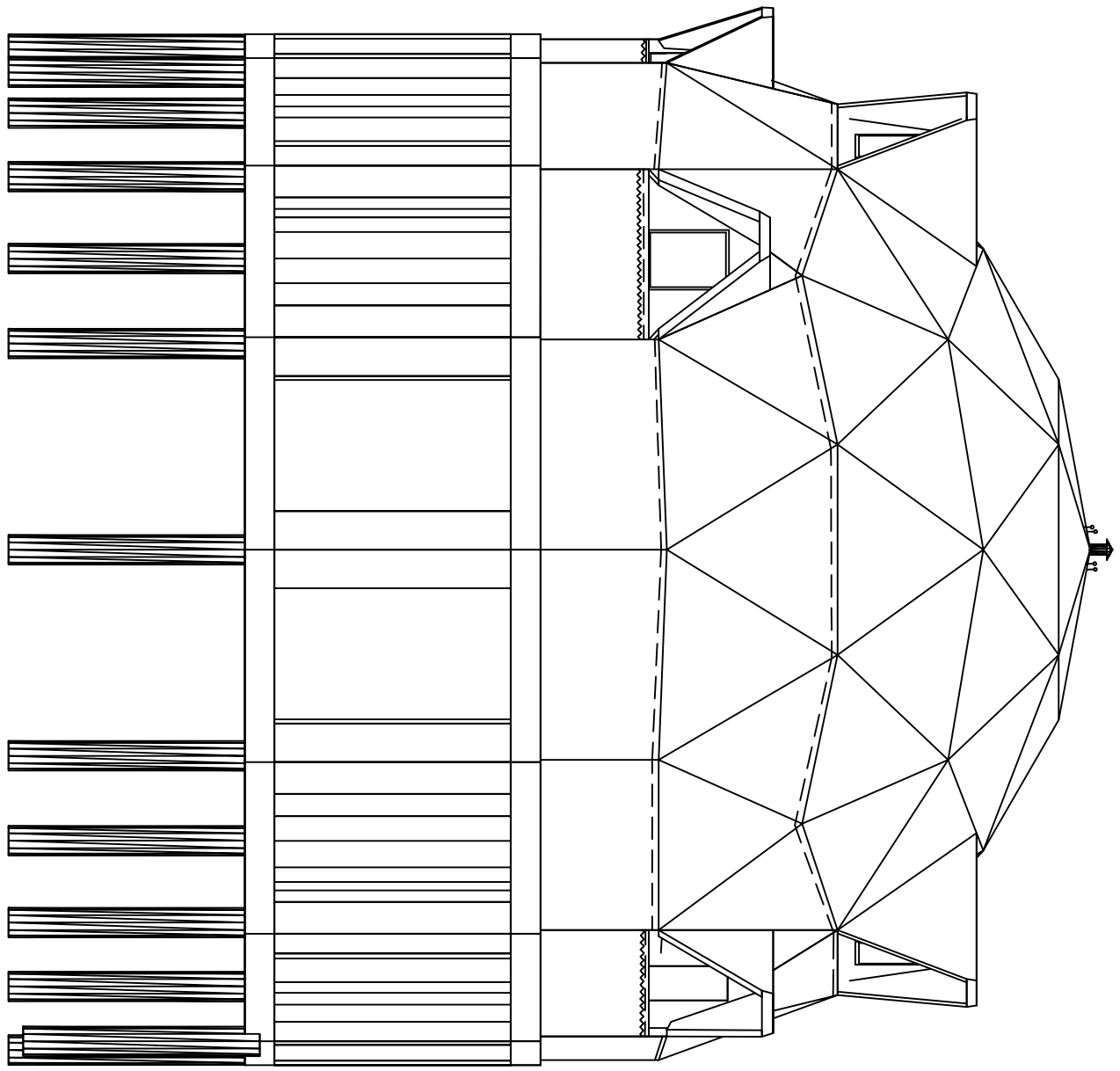
THE TOP DASHED LINE INDICATES GALV STEEL CABLE IN THE SEAM. SEE DETAIL 8, SHEET S-6

THE BOTTOM DASHED LINE INDICATES GALV STEEL CABLE IN THE SEAM. SEE DETAIL 9, SHEET S-6

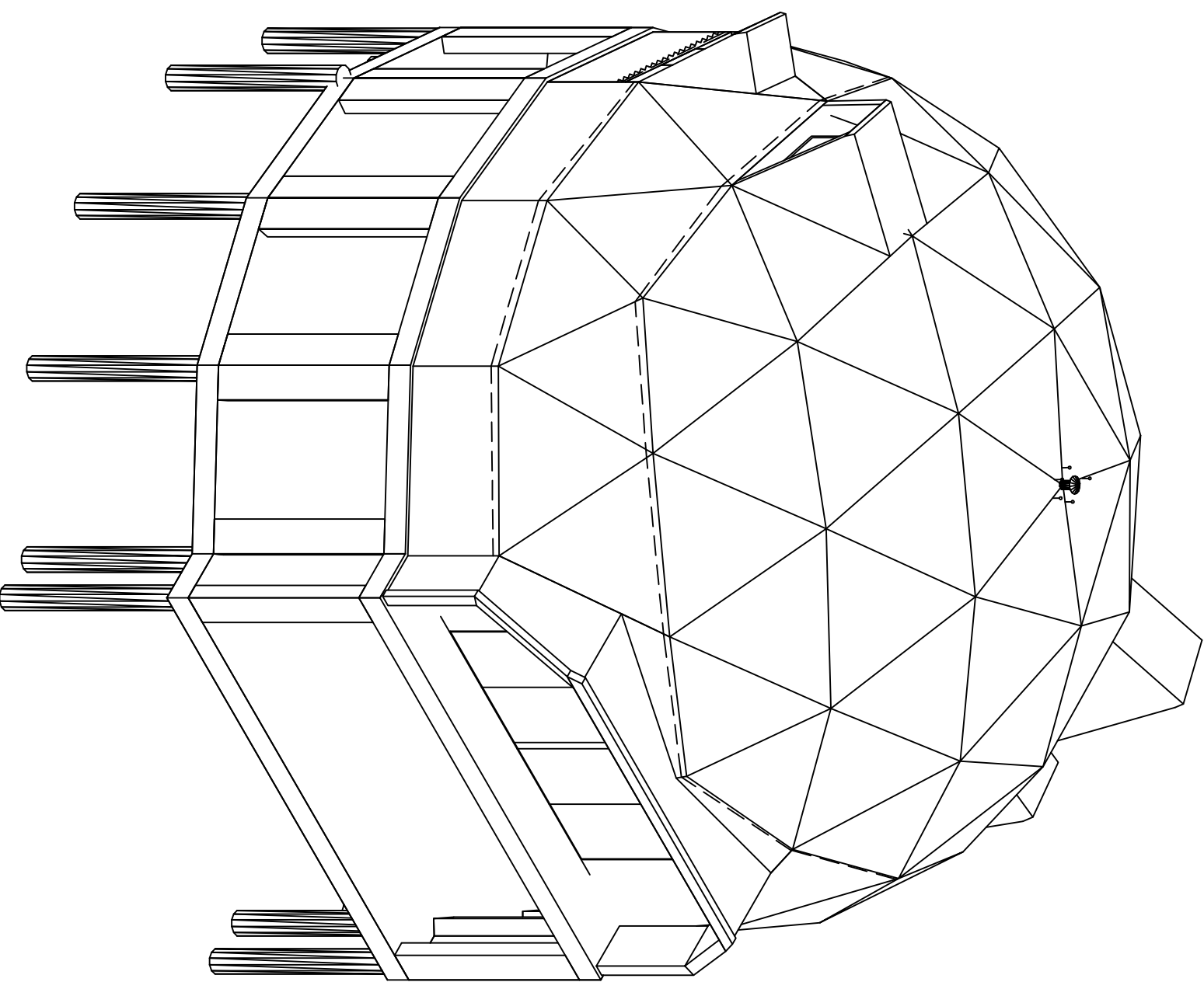


RIGHT ELEVATION  
SCALE: N.T.S.

HORIZONTAL REINFORCEMENT IDENTIFICATIONS:  
 --- TOP AND BOTTOM REINFORCING CABLE #4 REBAR  
 ~~~~~ VERTICAL REINFORCEMENT ARE NOT SHOWN



REAR ELEVATION  
SCALE: N.T.S.



3D VIEW  
SCALE: N.T.S.

AMERICAN  
INGENUITY, INC.

8777 HOLIDAY SPRINGS RD  
ROCKLEDGE, FL 32955-5805  
PH. 321-639-8777 USA

DOMES PLANS FOR:

CHUPIS RESIDENCE

SHEET TITLE:

EXTERIOR ELEVATION

DRAWN BY: N.K.H.  
CHECKED BY: G.B.  
DATE: 7.5.17  
DRAWING NO: CHUPIS  
REVISION:

SHEET NO.

A-7

COPYRIGHT 2017  
AMERICAN INGENUITY, INC.