

AMERICAN INGENUITY ECO COTTAGE W/4' RISERS

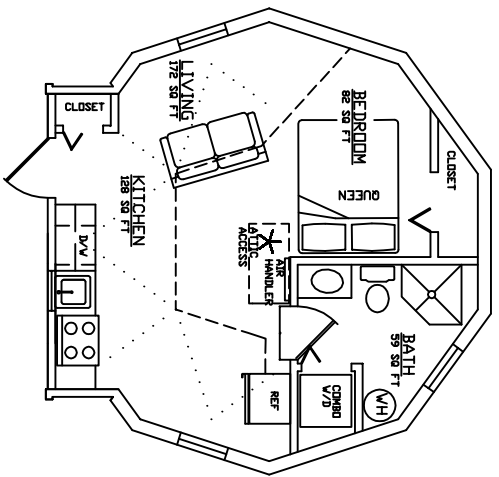
FIRST FLOOR 22' DOME W/4' RISER: 371 sq.ft.
22' LOFT TO 5' HEADROOM: 85 sq.ft.

TOTAL: 456 sq.ft.

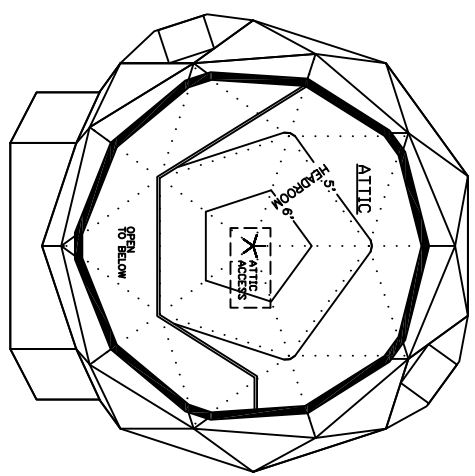
RADIUS FROM THE CENTER TO THE INSIDE CORNER OF THE RISER WALL=11'
DISTANCE BETWEEN INSIDE CORNERS OF THE RISER WALL 9'-6 1/2"

APPROXIMATE ROOM SIZES:
BEDROOM 10'-10"x7'
CLOSET 2'x6'
LIVING 7'-5"x10'-7"
KITCHEN 11'x10'-7"
W/D AREA 3'-5"x3'-3"
BATH 7'-3"x9'
APPROXIMATE SECOND FLOOR AREA AT 5 FT. 6 INCHES TO 6 FT. 10 INCHES 48 SQ.FT

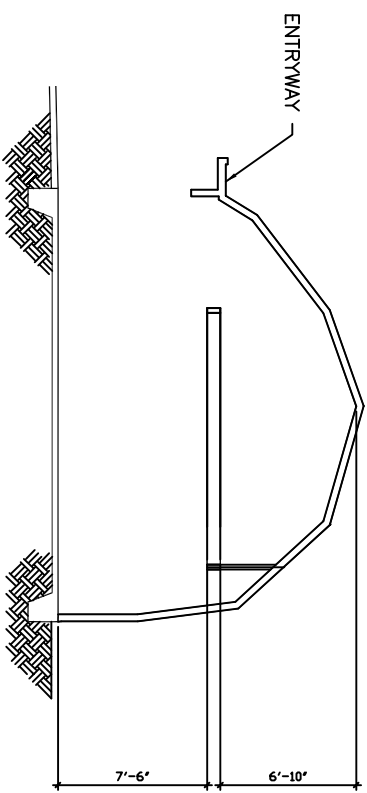
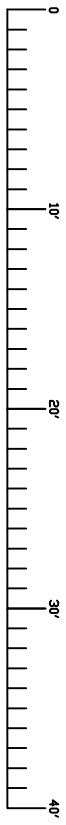
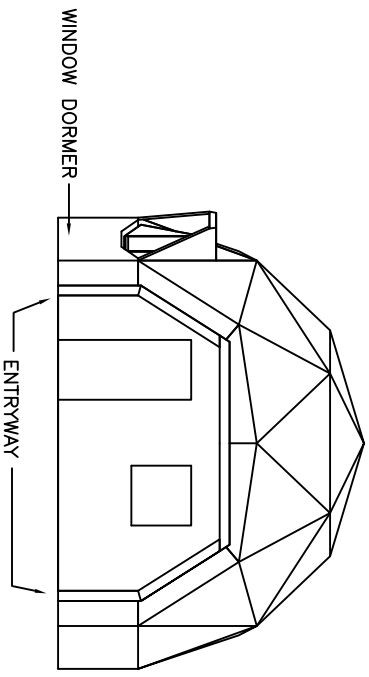
USE DUCTLESS MINI SPLIT A/C WITH HEAT PUMP.



FIRST FLOOR PLAN



OPTIONAL ATTIC



ECO COTTAGE